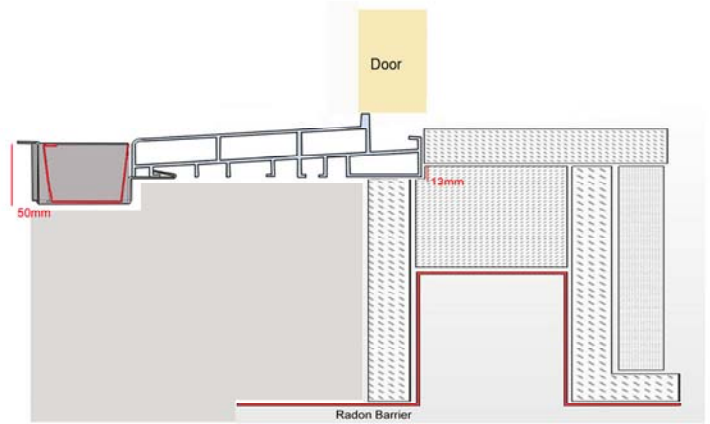
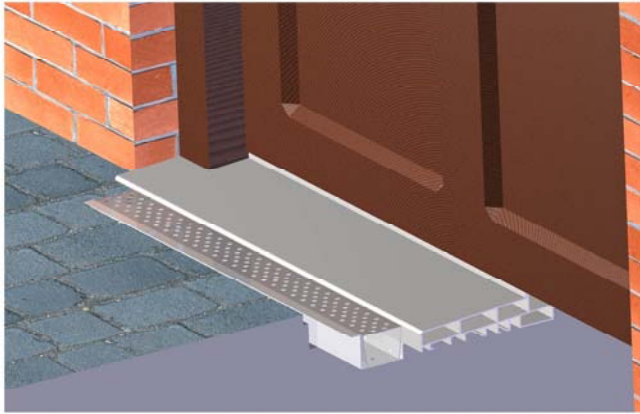
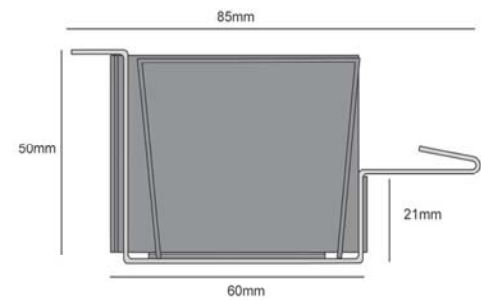
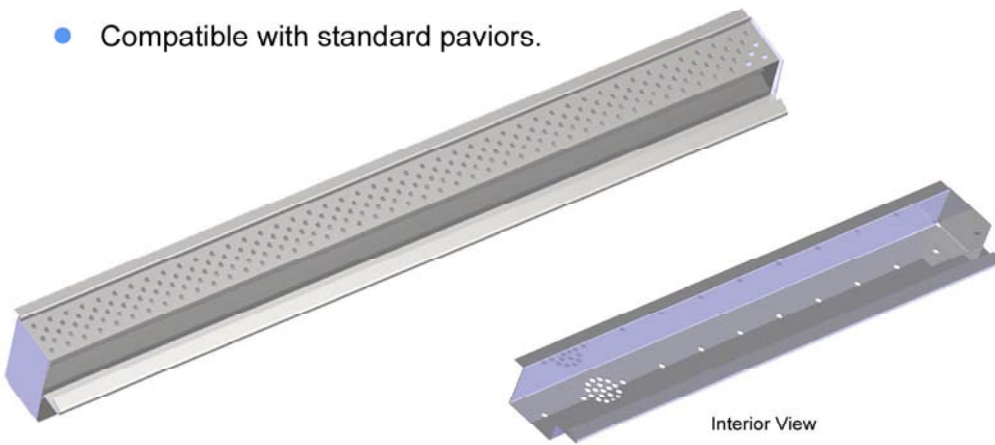


Stapleton Engineering would like to introduce draindeck SS95 Part- M. It is designed specifically for use with Munster Nordic Pine doors.



- Simple and quick to install, can be installed when footpath is being set to front door.
- Shallow design ensures that drainage channel will not interfere with radon barrier.
- Does not require any modifications to door or threshold.
- Fits to front of aluminium door cill, thus ensuring channel is square and level with doorway.
- Heelsafe.
- Manufactured from satin polished stainless steel.
- Strong and resistant to on-site breakages and the passage of time.
- Available ex-stock.
- Compatible with standard paviers.



Lengths Available / mm  
800  
900  
Site Specific

Width  
85

Height  
50

Cross Section